

ENFIS QUATTRO Mini Light Engine

Rich mono spot source and colour/CCT changing with 144 high-power LEDs

Features & Benefits

Two Formats

• Plug & Play

- Just plug in and go straight from the box!

• Luminaire integration kit

- Array on connectorized PCB with mounting holes.
- Separately housed driver module

Superior colour mixing with dense packaging and interleaving of colours

4.3 Billion colours

- Rich colours and wide dynamic range
- 4 x 256 step dimming

Full colour/colour temperature control and monitoring

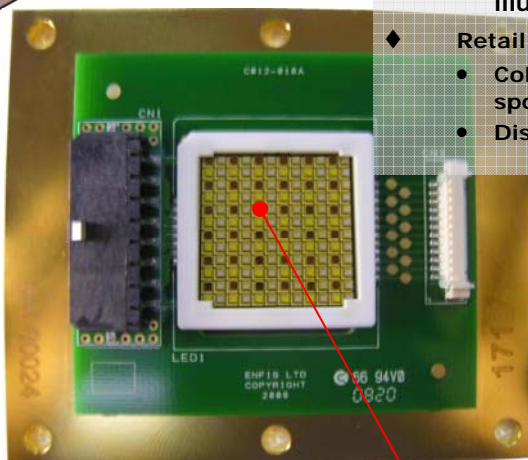
160W: High Power intense light from a 4cm² array

DMX512 compatible

Smart thermal protection system

Life-long 100% Lumen maintenance

System 3-year warranty



Applications & Markets

- ◆ Architectural lighting
 - Exterior buried spotlights
 - Exterior floodlights
 - Exterior/interior wall-washing
 - Interior colour/CCT-variable lighting
- ◆ Entertainment lighting
 - Club/bar lighting
 - Theatre spot gel replacement
 - Moving spots
- ◆ Fibre optic lighting
 - Colour/CCT-changing illuminator light sources
- ◆ Retail lighting
 - Colour/CCT-variable spotlights
 - Display lighting

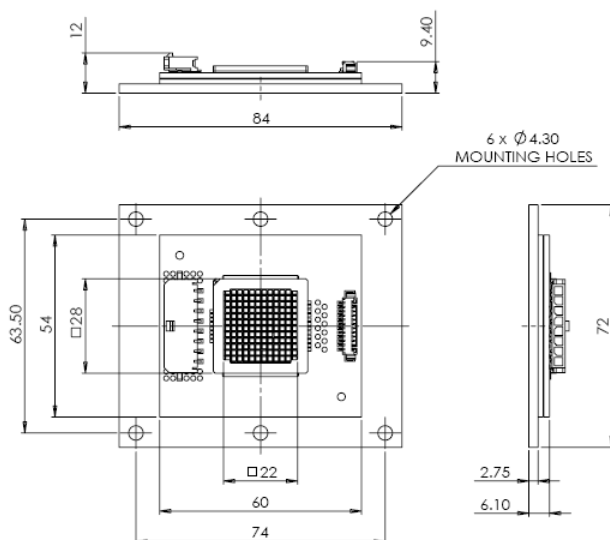
The 4cm² Array
144 high-power LEDs

ENFIS QUATTRO Mini Light Engine

Technical Specification

Electro-Optical Characteristics

Colour	Peak Wavelength (nm)	Typ. Light Output (mW)	Typ. Light Output (lm)	Total Electrical Power (W)
SUVA	365	3000	-	100
UVA	375	5000	-	100
Violet	405	17280	-	160
Blue	465	19200	1160	160
Green	520	7200	3200	160
Amber	595	5920	2800	160
Red	630	15200	2400	160
NIR	870	16000	-	160
Neutral White	3900-4600K	-	4000	160
RGBA	-	-	2900	160
RGBW	-	-	3130	160
Hi Cri	-	-	3250	160
Please contact Enfis Ltd for further information				



Electronics:

Technical Specification

Operating temperature -10°C to +45°C
Storage temperature -20°C to +85°C

Input To Driver

Input voltage 48V DC <5A

The results above are based upon a thermal management system with <0.1C/W thermal resistance
Ambient temperature = 25°C

LED Driver PCB

Efficient LED driver based on switch mode technology
Temperature monitoring and control
USB/Serial PC interface

Connectivity

TTL interface with USB convertor (USB connector head provided)

Thermal Management

The output with the integration kit will be depending on the efficiency of user's thermal management system

Handling LED Array

Contact with the encapsulation on the surface of the LED array must be avoided to prevent damage. Do not apply pressure to the encapsulation or allow it to come into contact with sharp objects. During operation the encapsulation will be hot and contact should be avoided.

Static Electricity

Care must be taken when handling, these products are sensitive to static electricity .
Observe static handling precautions.



Cleaning

Avoid touching the LED array surface.
To clean—BLOW surface with either dry air or nitrogen gas

Eye Safety Precautions

The light output of the products may cause injuries to human eyes in circumstances where the products are viewed directly with unshielded eyes for more than a few seconds.

Please refer to IEC 60825-1:2001 for further information



ENFIS LIMITED
Technium 2, Kings Road,
Swansea Waterfront,
Swansea, SA18PJ, UK
Tel +44 (0)1792 485660
Fax +44 (0)1792 485537
www.enfis.com
info@enfis.com

ENFIS